

SAIL SLOT IN MAST AND BOOM
HAS .200" OPENING

3/8" BOLT ROPE
ON LUFF AND FOOT

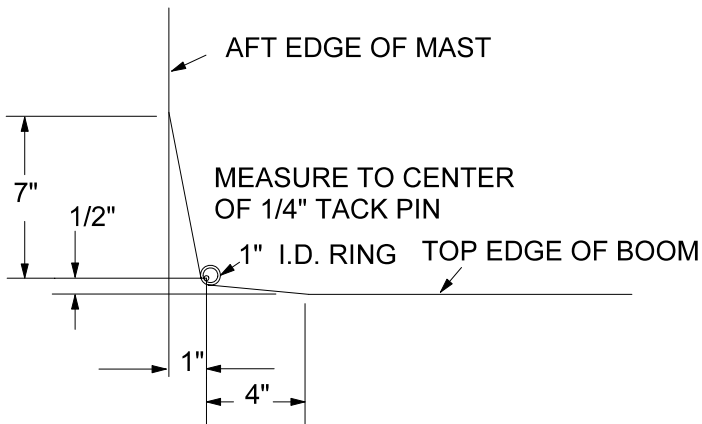
3.8 OZ DACRON
WHITE

NO RACING NUMBERS

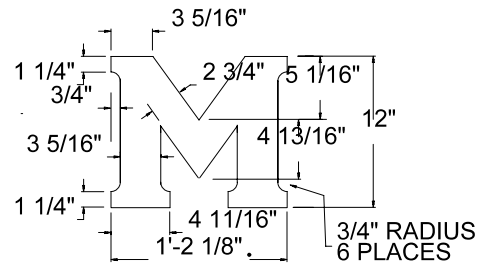
ALL MEASUREMENTS, UNLESS OTHERWISE NOTED,
ARE TO THE THEORETICAL INTERSECTIONS OF THE
PROJECTED EDGES OF THE SAIL (EXCEPT FOR
HEADBOARD).

AREA, INCLUDING ROACH,
BUT NOT INCLUDING BOLT
ROPES = 170 SQUARE FEET.

BATTENS SPACED EQUIDISTANT
ALONG LEECH

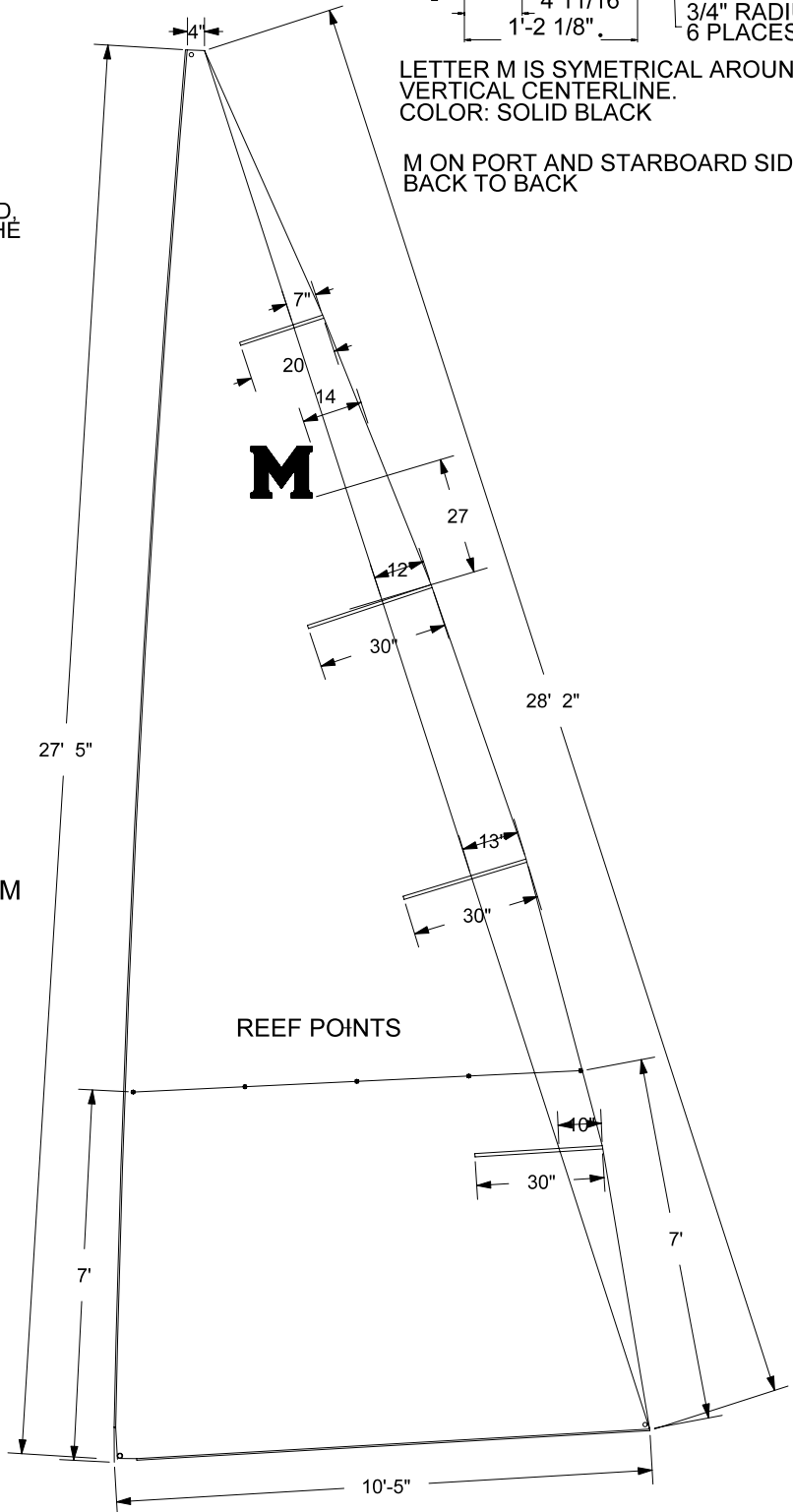


MARK BAG "MAINSAIL, 26M"



LETTER M IS SYMETRICAL AROUND
VERTICAL CENTERLINE.
COLOR: SOLID BLACK

M ON PORT AND STARBOARD SIDE,
BACK TO BACK



ALL DIMENSIONS ARE WITH THE MATERIAL
STRETCHED TIGHT AND WRINKLE FREE.

MAINSAIL 26M	
MACGREGOR 26M: PER BOAT	1 EA
DRAWING DATE:	NOV 1 2005
MACGREGOR PART NUMBER:	404